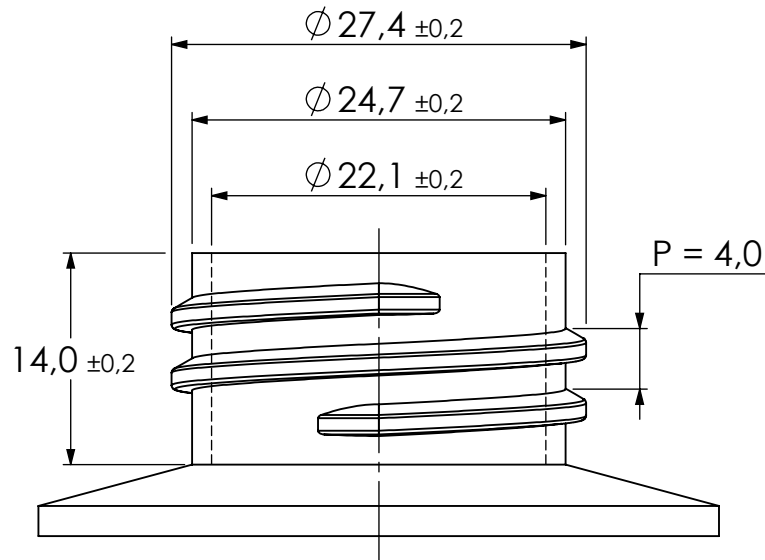


No.	Quantity	Changed / CS No	Date	Sign.	Appr.
1	1	General tolerance added, redrawn	070411	JL	
2	1	New drawing, Note added	090414	JL	
3	1	Note added	100128	JL	



②

**Very Important**

The neck dimensions shown are those which have generally been found to be functional but each closure/finish system should be individually evaluated. Neck finishes having dimension outside these ranges can also be appropriate for use, therefore the bottle neck drawing is only a recommendation.

③

This recommendation is for following closure: 28SP

①

General tolerance: SS-ISO 2768-1 m

<b>Modulpac AB</b> Industrigatan 11 SE-340 14 Lagan Sweden  tel. +46-(0)372-25500 fax. +46-(0)372-25501	Scale	Drawn by	Appr.		Material	Date
	2:1	UM				000919
	Name				Format	
28 SP Neck				A4		4
				Drawing No.		